

EXPOSMART

PORTABLE • MODULAR • SMART

www.exposmart.co.il

NEW 120mm LIGHT BOX

www.exposmart.co.il





120mm LIGHTBOX



LIGHT
EFFECT



ON
FRAME



ON
GRAPHIC



DOUBLE
SIDED



INDOOR
USE



NO
TOOL



RECYCLE
USE



EASY
CARRY

SEG LIGHTBOX

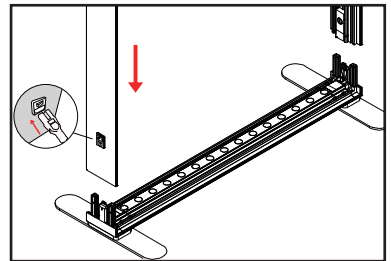
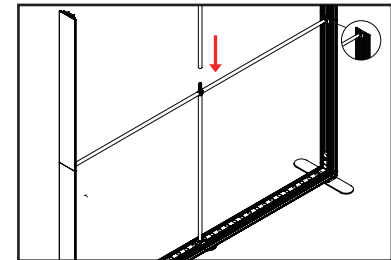
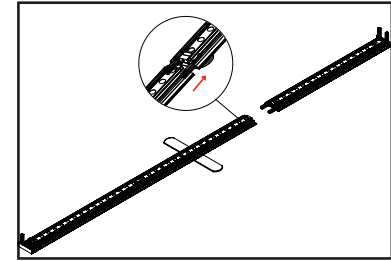
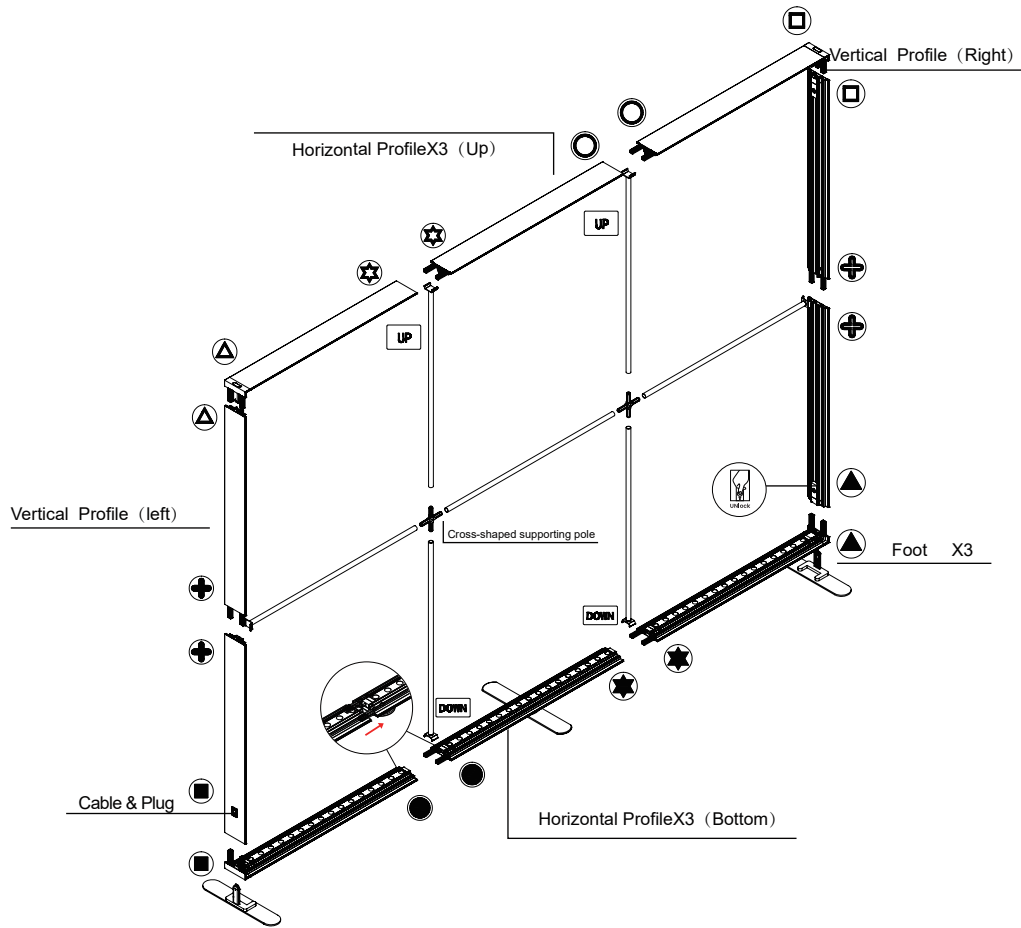
INTERNATIONAL FLIGHT CASE PROVIDED

Designed for international shipping for maximum protection and safety



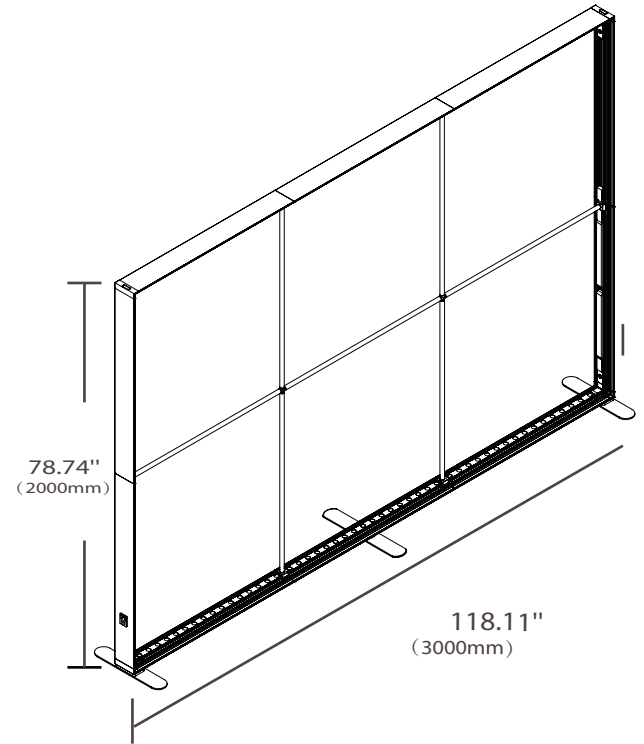
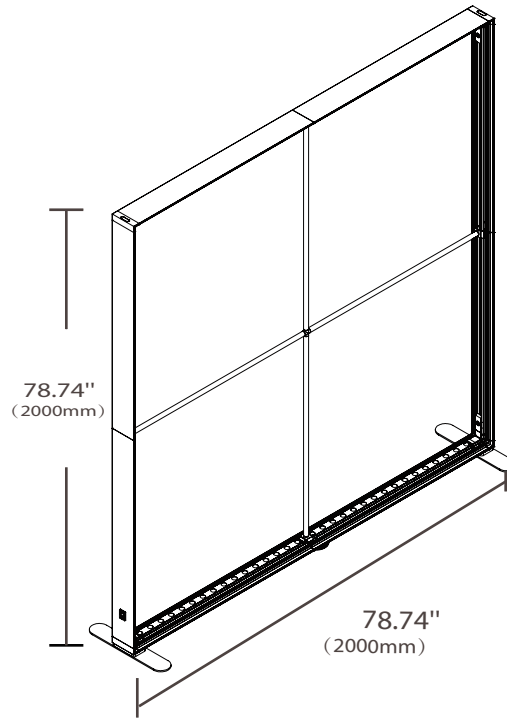
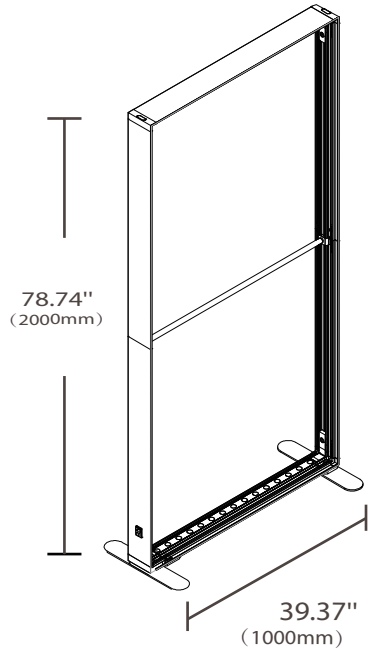
SEG LIGHTBOX

HARDWARE COMPONENTS AND STRUCTURE



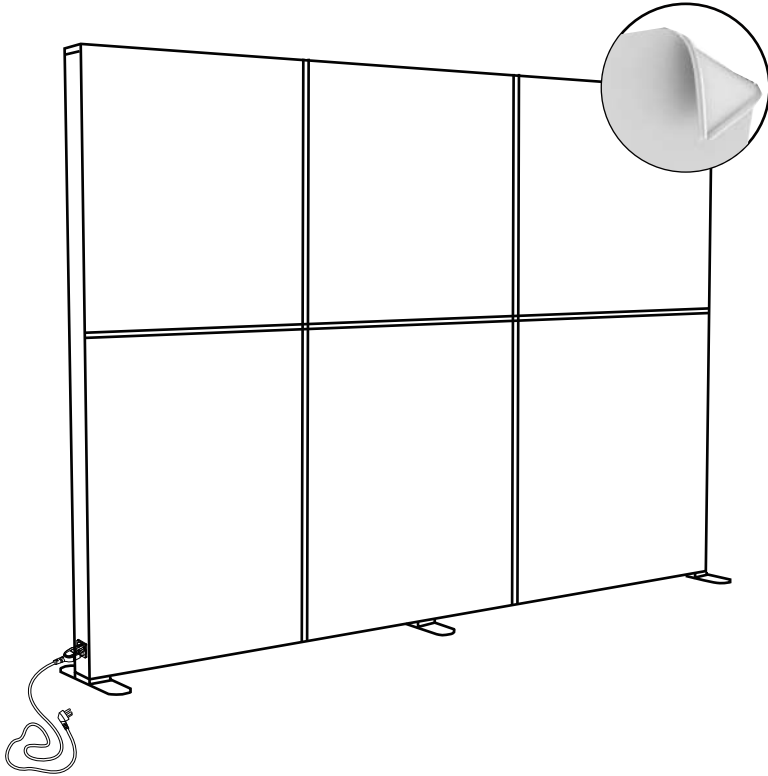
SEG LIGHTBOX

ILLUSTRATION FOR 1 METER, 2 METERS AND 3 METERS WIDE HAREWARE



SEG LIGHTBOX

GRAPHIC ASSEMBLE STEPS



OTHER SIZE OPTIONS

1M/2M/3M/4M/6M



Item	EM-18F				
Frame size(mm)	1000x2000mm (39.37"x78.74")	2000x2000mm (78.74"x78.74")	3000x2000 (118.11"x78.74")	4000x2000 (118.11"x78.74")	6000x2000 (118.11"x78.74")
Graphic Size(mm)	1060x1060mm (41.73"x41.73")	2060x2060mm (81.10"x81.10")	3060x2060 (120.47"x81.10")	4060x2060 (159.84"x81.10")	6060*2060 (120.47"x81.10")
eight	15.66kg	21.14kg	40.2kg	57kg	70.4kg
Packing Size(mm)	1080x360X180mm (42.51"x14.17"x7.08")	1140x460X180mm (44.88"x18.11"x7.08")	1180x220x670mm (46.45"x8.66"x26.37")	1140x460X180mmx2 (44.88"x18.11"x7.08") x2	1180x220x670mmx2 (46.45"x8.66"x26.37") x2
Power parameters	24V150W(North America) 24V200W(Europe)	24V150W(North America)x2 24V200W(Europe)x2	24V150W(North America)x2 24V200W(Europe)x2	24V150W(North America)x4 24V200W(Europe)x4	24V150W(North America)x4 24V200W(Europe)x4



Frame size(mm)	1000x2400mm (39.37"x94.48")	2000x2400mm (78.74"x94.48")	3000x2400mm (118.11"x94.48")	4000x2400 (157.48"x94.48")	6000x2400mm (236.22"x94.48")
Graphic Size(mm)	1060x2460mm (81.10"x96.85")	2060x2460mm (81.10"x96.85")	3060x2460mm (120.47"x96.85")	3060x2460 (120.47"x96.85")	6060x2460mm (238.58"x96.85")
Weight	17kg	22.4kg	42.6kg	59.6kg	74.6kg
Packing Size(mm)	1280x360X180mm (50.39"x14.17"x7.08")	1340x460X180mm (52.75"x18.11"x7.08")	1380x220x670mm (54.33"x8.66"x26.37")	1340x460X180mmx2 (52.75"x18.11"x7.08") x2	1380x220x670mmx2 (54.33"x8.66"x26.37") x2
Power parameters	24V150W(North America) 24V200W(Europe)	24V150W(North America)x2 24V200W(Europe)x2	24V150W(North America)x2 24V200W(Europe)x2	24V150W(North America)x4 24V200W(Europe)x4	24V150W(North America)x4 24V200W(Europe)x4

Remarks: Oxford Bag Size for Hardware 108*36*18 Oxford Bag Size for Hardware 114*46*18 Flight Case Size for Hardware 118*22*67

120 SEG LIGHTBOX BOOTH SOLUTION

(more options to choose from)

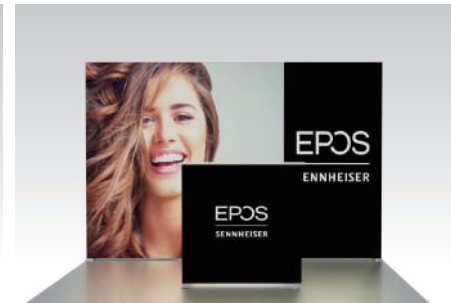
3X3

- 1000x2000mm 1
- 2000x2000mm 2
- 1000x1000mm 1



3X3

- 1000x2000mm 1
- 2000x2000mm 1
- 1000x1000mm 1



CONTROLS

- Flap Transmissions
- Rotary/Linear Actuators
- Stabilizers
- Thrust Reverser Actuator

AVIONICS

- Wheel Speed Sensors
- Electromechanical Actuators
- Pressure Switches

PNEUMATICS

- Air Cycle Machines
- Cooling Turbines
- Power Drive Units (PDU)
- Starters
- Valves

SUMMIT
AEROSPACE
SETTING A NEW STANDARD FOR SUPPORT

The 145
REPAIR SHOP AWARDS
LOCKHEED MARTIN



RECOGNITION
OPERATIONAL
EXCELLENCE
2010



MILITARY AIRCRAFT SERVICED
A-10, AC-130, B-1B, B-52, C-5, C-9, C-40A, C-130, E-3, F-5,
F-15, F-16, F/A-18, KC-10, KC-46A, KC-135, P-8, T-43A

SUMMITMRO.COM

POWER GENERATION

- Constant Speed Drives-Generators
- Integrated Drive Generators
- Starter Generators

REWIND

- AC Generators
- Alternators
- Electrical Motors
- Exciters
- Rotors
- Stators

LANDING GEAR

NOUVEAU SIEGE PASSAGER SEAT JACK

KIMPEX
SEAT JACK

- NOUVEAU DESIGN, AU GOÛT DU JOUR
- FACILE À INSTALLER, SYSTÈME EXCLUSIF
- «CLIC N GO» KIMPEX
- CONFORT AMÉLIORÉ
- ERGONOMIQUE
- PROTÈGES-MAINS
- POIGNÉES CHAUFFANTES OPTIONNELLES

NEW PASSENGER SEAT SEAT JACK

- NEW DESIGN
- EASY TO INSTALL, EXCLUSIVE SYSTEM
- «CLICK N GO» KIMPEX
- IMPROVED COMFORT
- ERGONOMIC
- HAND GUARDS
- HEATED GRIPS OPTIONAL



www.exposmart.co.il
info@exposmart.co.il
+972 54 988 7333

EXPOSMART

PORTABLE • MODULAR • SMART

www.exposmart.co.il